

4

3

2

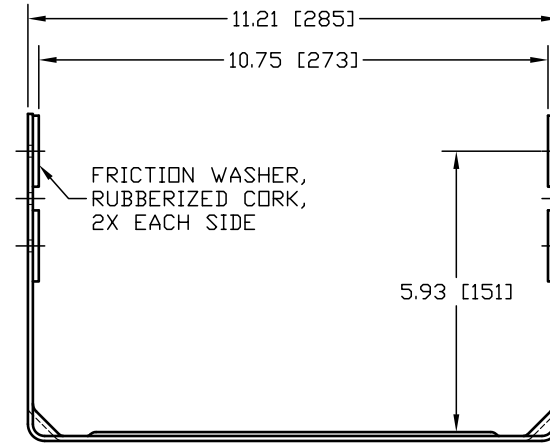
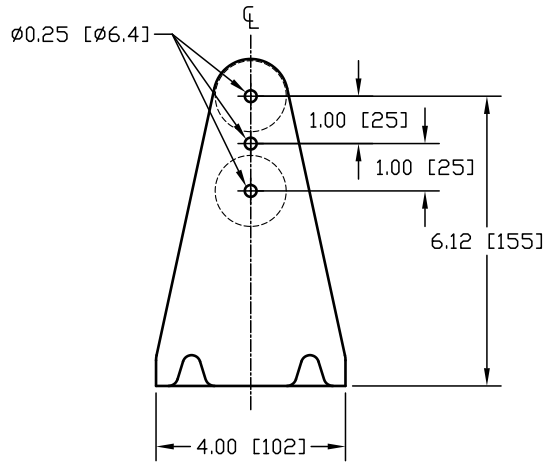
1

REVISIONS

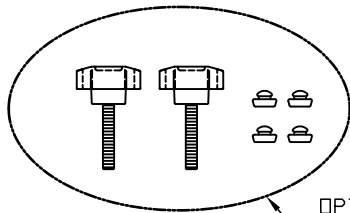
REV	DESCRIPTION	APPR / DATE
1	NEW ISSUE	4/30/12
2	ADDED NOTES RE: FLOOR STND KIT	7/19/12

Notes:

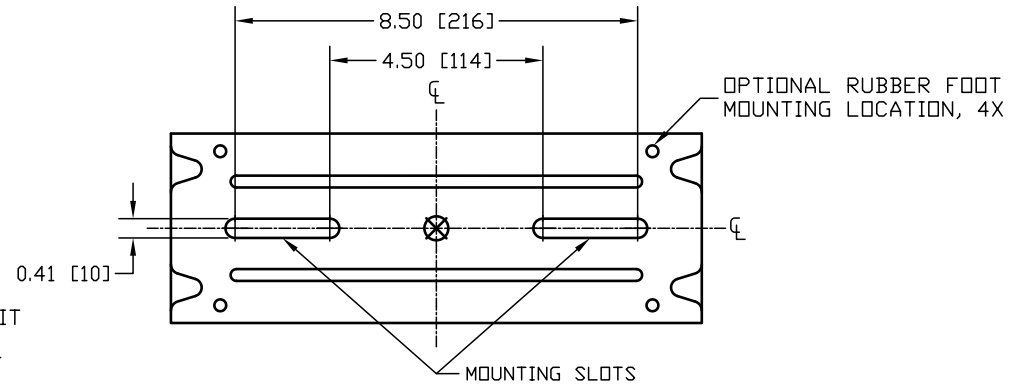
1. FITS: RX699, RX699-MT60
2. WEIGHT: 2.0 LBS (0.9 KG)
3. INCLUDES TWO M6 SOCKET HEAD CAP SCREWS
4. SYMBOL \otimes = $\phi 0.51$ [$\phi 12.9$] HOLE FOR USE WITH USER-SUPPLIED THREADED ROD OR TRUSS CLAMP



FRICION WASHER, RUBBERIZED CORK, 2X EACH SIDE

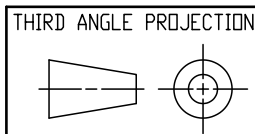


OPTIONAL FLOOR STAND KIT INCLUDES 2X THREADED KNOBS & 4X RUBBER FEET



OPTIONAL RUBBER FOOT MOUNTING LOCATION, 4X

MOUNTING SLOTS



THIS DRAWING IS THE PROPERTY OF FULCRUM ACOUSTIC, AND SHALL NOT BE COPIED, REPRODUCED, OR USED AS THE BASIS FOR MANUFACTURE OR SALE OF APPARATUS WITHOUT WRITTEN AUTHORIZATION. DO NOT SCALE DRAWING.

UNLESS OTHERWISE SPECIFIED: ALL DIMENSIONS ARE IN INCHES

TOLERANCE IN INCHES:
 .X±.1 .XX±.015 .XXX±.005
 FRACTIONS ±1/32
 ANGLES ±1/2°

(X.XX) = REF DIMS NO TOLERANCE IMPLIED

TSC = THEORETICAL SHARP CORNER

DIMENSIONS ACROSS CENTERLINES TO BE SYMETRICAL

STATUS		RELEASED
APPROVALS	DATE	
DRAWN: RAF	4/30/12	
CHECKED: DWG	4/30/12	
DES ENG:		
MFG ENG:		

FULCRUM ACOUSTIC, LLC
 670 LINWOOD AVE, LINWOOD, MA 01525 USA

TITLE: MECH. SPEC., YK1106

A SHEET 1 OF 1 SCALE: 1:4

DWG. NO. 820-300-014 REV 2

4

3

2

1

D

D

C

C

B

B

A

A