

4

3

2

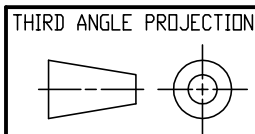
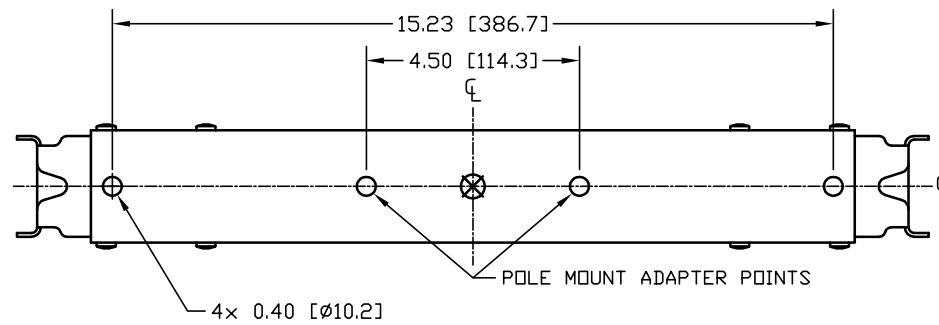
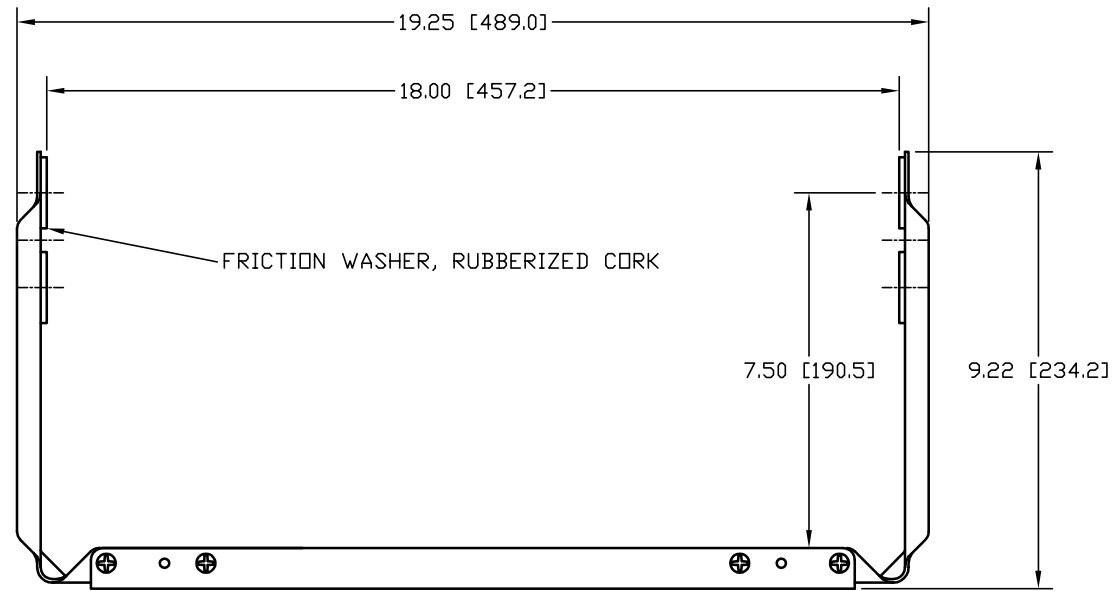
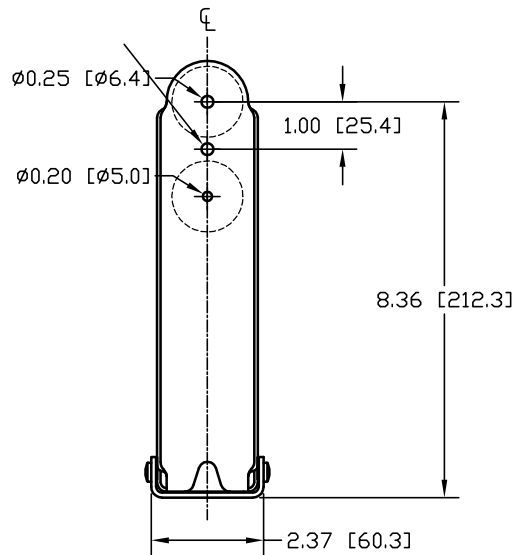
1

REVISIONS

REV	DESCRIPTION	APPR / DATE
1	NEW ISSUE	6/24/10
2	ADD DIMS AND APP NOTES	8/25/11
3	GENERAL DRAWING UPDATES	1/14/16

Notes:

- 1. FITS: Prophile S
- 2. WEIGHT: 2.8 LBS (1.3 KG)
- 3. INCLUDES TWO M6 SOCKET HEAD CAP SCREWS
- 4. SYMBOL  $\otimes$  =  $\varnothing 0.51$  [ $\varnothing 12.9$ ] HOLE FOR USE WITH USER-SUPPLIED THREADED ROD OR TRUSS CLAMP



THIS DRAWING IS THE PROPERTY OF FULCRUM ACOUSTIC, AND SHALL NOT BE COPIED, REPRODUCED, OR USED AS THE BASIS FOR MANUFACTURE OR SALE OF APPARATUS WITHOUT WRITTEN AUTHORIZATION. DO NOT SCALE DRAWING.

UNLESS OTHERWISE SPECIFIED: ALL DIMENSIONS ARE IN INCHES

TOLERANCE IN INCHES:  
 .X±.1 .XX±.015 .XXX±.005  
 FRACTIONS ±1/32  
 ANGLES ±1/2°

(X.XX) = REF DIMS NO TOLERANCE IMPLIED  
 TSC = THEORETICAL SHARP CORNER  
 DIMENSIONS ACROSS CENTERLINES TO BE SYMMETRICAL

STATUS		RELEASED
APPROVALS	DATE	
DRAWN:	DWG	6/24/10
CHECKED:	RAF	6/28/10
DES ENG:		
MFG ENG:		

 FULCRUM ACOUSTIC, LLC  
 670 LINWOOD AVE, LINWOOD, MA 01525 USA

TITLE: MECH. SPEC., YK1808

**A** SHEET 1 OF 1 SCALE: 1:4  
 DWG. NO. 820-300-003 REV 3

4

3

2

1

D

D

C

C

B

B

A

A