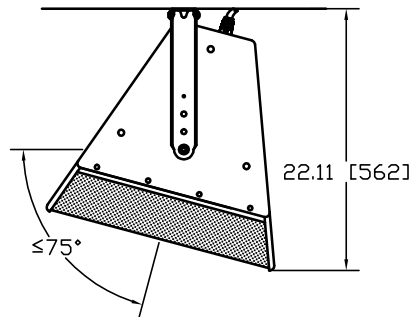


Notes:

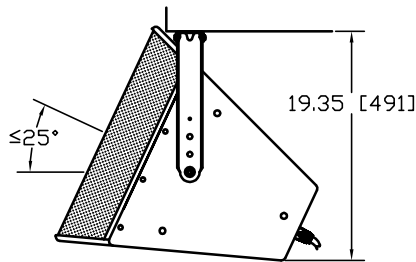
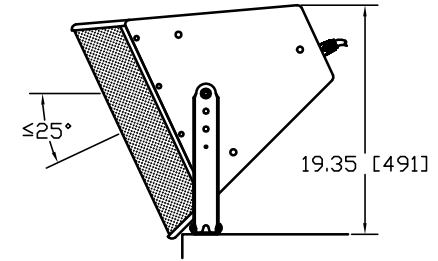
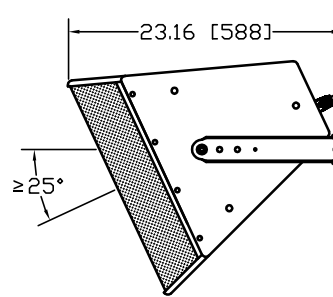
YK Series brackets are designed to allow for the lowest-possible profile when installed. However, certain CX1565/95 tilt angles or orientations may not be possible when the loudspeaker has standard NL4 input connectors installed. This is due to interference between the connectors and the bracket crossbar. This drawing illustrates the range of angles a CX1565/95 may be rotated through when NL4 connectors are installed.

There are no aiming restrictions when using terminal strip inputs. Terminal strip inputs are available at no extra charge.

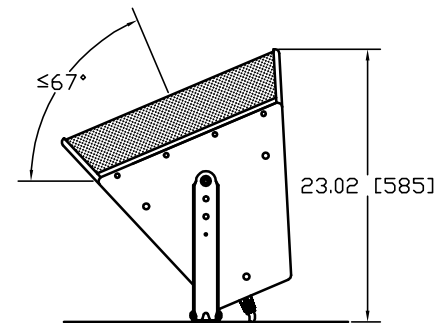
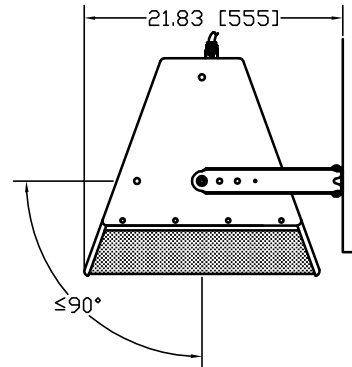
REVISIONS		
REV	DESCRIPTION	APPR / DATE
1	NEW ISSUE RAF	6/9/2011



May be tilted >75° with optional barrier strip input



Tilt limited to point where enclosure touches bracket



May be tilted >67° with optional barrier strip input

<p>THIRD ANGLE PROJECTION</p> <p>THIS DRAWING IS THE PROPERTY OF FULCRUM ACOUSTIC, AND SHALL NOT BE COPIED, REPRODUCED, OR USED AS THE BASIS FOR MANUFACTURE OR SALE OF APPARATUS WITHOUT WRITTEN AUTHORIZATION. DO NOT SCALE DRAWING.</p>	<p>UNLESS OTHERWISE SPECIFIED: ALL DIMENSIONS ARE IN INCHES</p> <p>TOLERANCE IN INCHES: .X±.1 .XX±.015 .XXX±.005 FRACTIONS ±1/32 ANGLES ±1/2°</p> <p>(X.XX) = REF DIMS NO TOLERANCE IMPLIED</p> <p>TSC = THEORETICAL SHARP CORNER</p> <p>DIMENSIONS ACROSS CENTERLINES TO BE SYMMETRICAL</p>	<p>STATUS RELEASED</p>		<p>FULCRUM ACOUSTIC, LLC 670 LINWOOD AVE, LINWOOD, MA 01525 USA</p>	
		APPROVALS	DATE		<p>TITLE: Mechanical Spec, YK2211+CX1565/95 Angles</p>
		DRAWN: RAF	6/9/11		
		CHECKED:			<p>A SHEET 1 OF 1 SCALE: 1:16</p>
DES ENG:		DWG. NO. 820-300-012	REV 1		
MFG ENG:					