

4

3

2

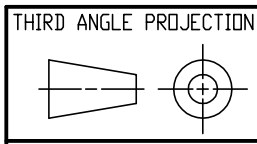
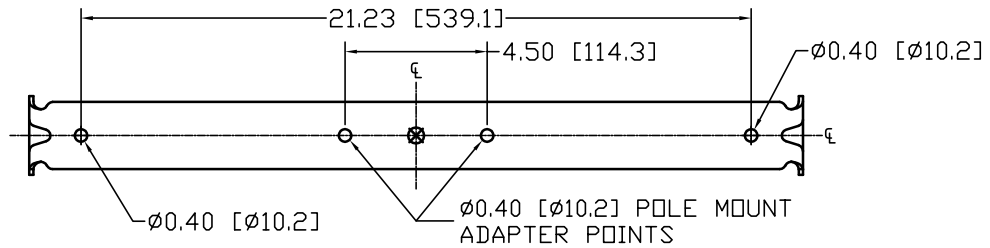
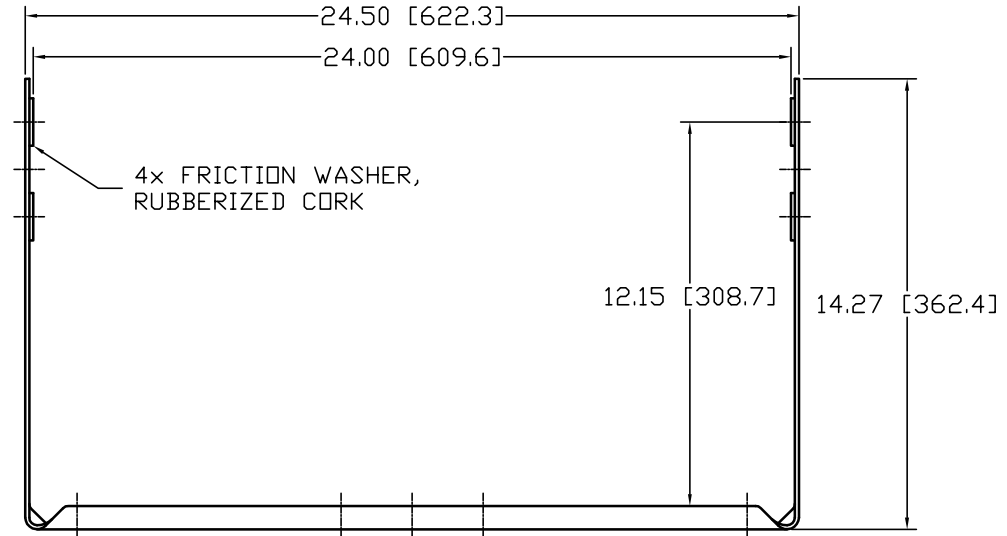
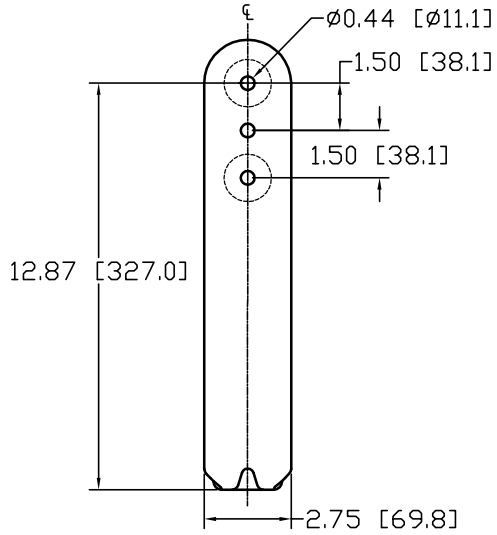
1

REVISIONS

REV	DESCRIPTION	APPR / DATE
1	NEW ISSUE	RAF 04/02/13
2	UPDATE TO 1 PIECE CONSTRUCTION	RAF 07/29/16

Notes:

- 1. Fits: GX12 Series
- 2. Net Weight: Approx. 5.0 lb / 2.3 kg
- 3. Includes two M10 socket head cap screws
- 4. Symbol  $\otimes$  =  $\varnothing 0.51$  [ $\varnothing 12.9$ ] hole for use with user-supplied threaded rod or truss clamp



THIS DRAWING IS THE PROPERTY OF FULCRUM ACOUSTIC, AND SHALL NOT BE COPIED, REPRODUCED, OR USED AS THE BASIS FOR MANUFACTURE OR SALE OF APPARATUS WITHOUT WRITTEN AUTHORIZATION. DO NOT SCALE DRAWING.

UNLESS OTHERWISE SPECIFIED:  
ALL DIMENSIONS ARE IN INCHES

TOLERANCE IN INCHES:  
.X±.1 .XX±.015 .XXX±.005  
FRACTIONS ±1/32  
ANGLES ±1/2°

(X.XX) = REF DIMS NO TOLERANCE IMPLIED

TSC = THEORETICAL SHARP CORNER

DIMENSIONS ACROSS CENTERLINES TO BE SYMMETRICAL

STATUS RELEASED	
APPROVALS	DATE
DRAWN: RAF	04/02/13
CHECKED: DWG	04/02/13
DES ENG:	
MFG ENG:	

**FULCRUM ACOUSTIC, LLC**  
670 LINWOOD AVE, LINWOOD, MA 01525 USA

TITLE: Mech. Spec., YK2413

**A** SHEET 1 OF 1 SCALE: 1:6

DWG. NO. 820-300-018 REV 2

4

3

2

1