

4

3

2

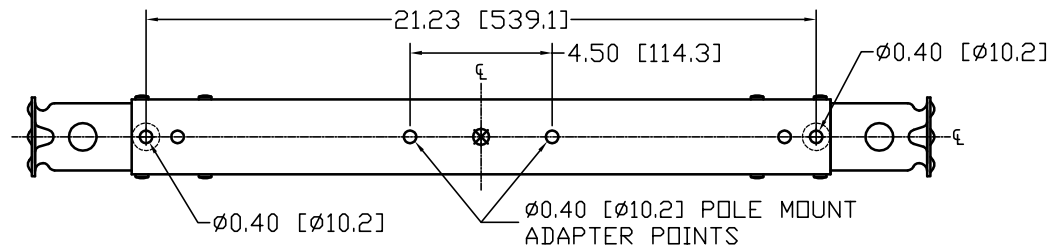
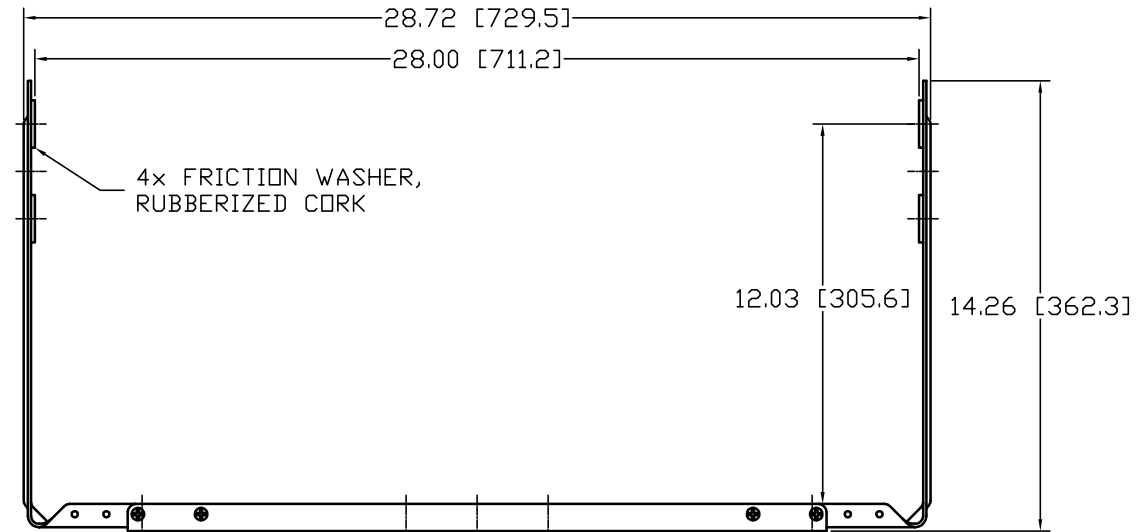
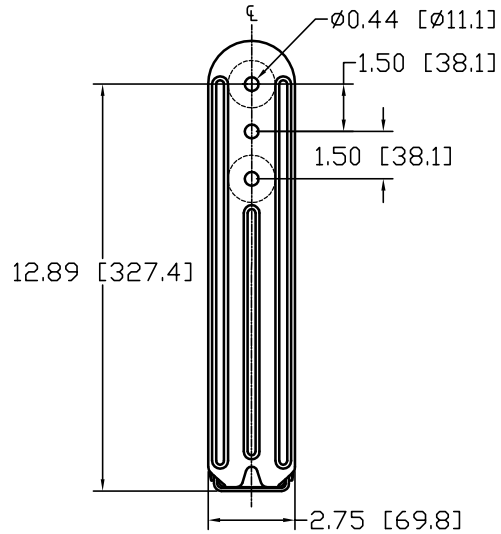
1

REVISIONS

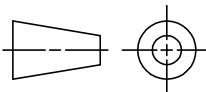
REV	DESCRIPTION	APPR / DATE
1	NEW ISSUE	04/02/13

Notes:

1. Fits: DX12 Series
2. Net Weight: Approx. 5.0 lb / 2.3 kg
3. Includes two M10 socket head cap screws
4. Symbol \otimes = $\varnothing 0.51$ [$\varnothing 12.9$] hole for use with user-supplied threaded rod or truss clamp



THIRD ANGLE PROJECTION



THIS DRAWING IS THE PROPERTY OF FULCRUM ACOUSTIC, AND SHALL NOT BE COPIED, REPRODUCED, OR USED AS THE BASIS FOR MANUFACTURE OR SALE OF APPARATUS WITHOUT WRITTEN AUTHORIZATION.
DO NOT SCALE DRAWING.

UNLESS OTHERWISE SPECIFIED:
ALL DIMENSIONS ARE IN INCHES

TOLERANCE IN INCHES:
.X±.1 .XX±.015 .XXX±.005
FRACTIONS ±1/32
ANGLES ±1/2°

(X.XX) = REF DIMS NO TOLERANCE IMPLIED

TSC = THEORETICAL SHARP CORNER

DIMENSIONS ACROSS CENTERLINES
TO BE SYMMETRICAL

STATUS RELEASED

APPROVALS DATE

DRAWN: RAF 04/02/13

CHECKED: DWG 04/02/13

DES ENG:

MFG ENG:



FULCRUM ACOUSTIC, LLC

670 LINWOOD AVE, LINWOOD, MA 01525 USA

TITLE:

Mech. Spec., YK2813

A

SHEET 1 OF 1

SCALE: 1:6

DWG. NO.

820-300-017

REV 1

4

3

2

1