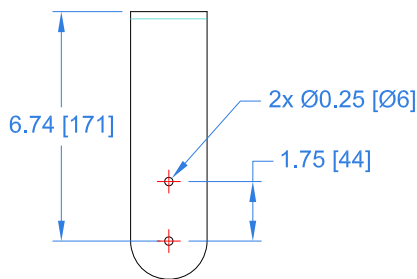
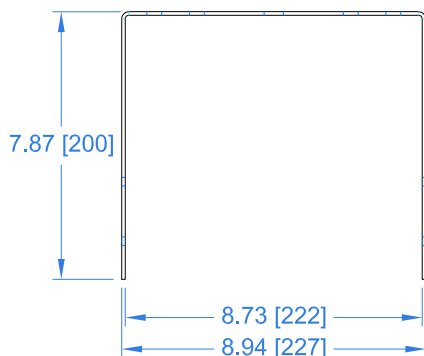
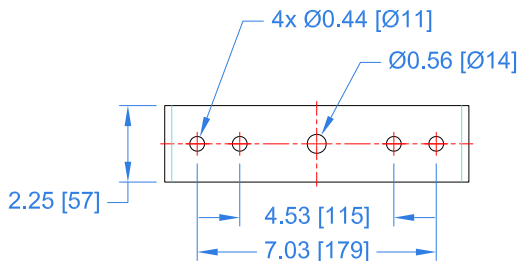


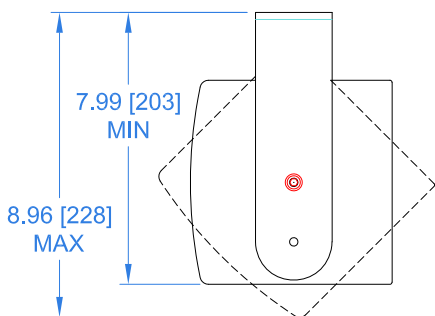
Notes:

1. Net Weight = Approx. 1.0 lb / 0.5 kg
2. Material: 12 GA (0.104") CRS, weather-resistant coating
3. Includes 2x each M6 socket head cap screws, split washers, flat washers

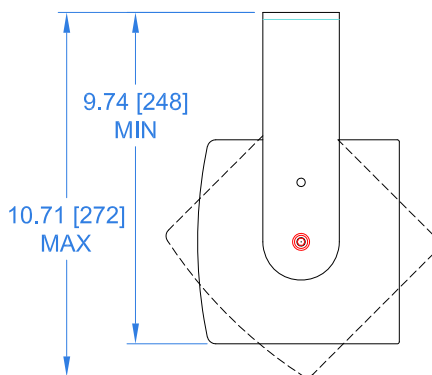
REVISIONS		
REV	DESCRIPTION	APPR / DATE
1	NEW ISSUE	RAF 04/30/24



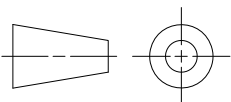
MOUNTING POSTION 1



MOUNTING POSTION 2



THIRD ANGLE PROJECTION



THIS DRAWING IS THE PROPERTY OF FULCRUM ACOUSTIC, AND SHALL NOT BE COPIED, REPRODUCED, OR USED AS THE BASIS FOR MANUFACTURE OR SALE OF APPARATUS WITHOUT WRITTEN AUTHORIZATION. DO NOT SCALE DRAWING.

UNLESS OTHERWISE SPECIFIED: ALL DIMENSIONS ARE IN INCHES

TOLERANCE IN INCHES
 .X±.1 .XX±.015 .XXX±.005
 FRACTIONS ±1/32
 ANGLES ±1/2°

(X.XX) = REF DIMS NO TOLERANCE IMPLIED

TSC = THEORETICAL SHARP CORNER

DIMENSIONS ACROSS CENTERLINES TO BE SYMETRICAL

STATUS RELEASED

APPROVALS	DATE
DRAWN: RAF	04/30/24
CHECKED: DEW	04/30/24
DES ENG:	
MFG ENG:	



FULCRUM ACOUSTIC, LLC
 1 MAIN STREET, WHITINSVILLE, MA 01588 USA

TITLE: Mechanical Spec,
 UB-RX5 Yoke Bracket

A	SHEET 1 OF 1	SCALE: 1:6
DWG. NO.	820-300-055	REV 1