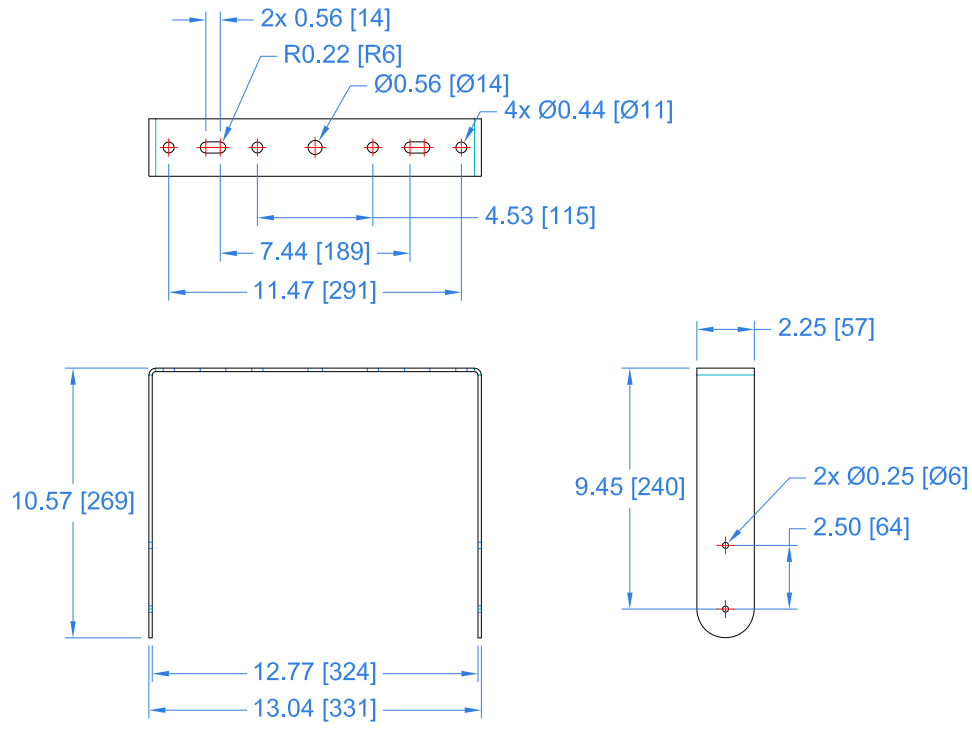
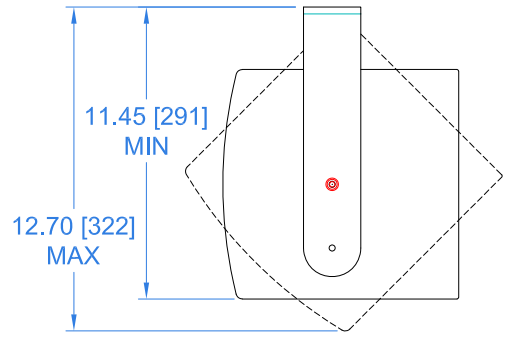


- Notes:**
1. Net Weight = Approx. 2.0 lb / 0.9 kg
 2. Material: 10 GA (0.135") CRS, weather-resistant coating
 3. Includes 2x each M6 socket head cap screws, split washers, flat washers

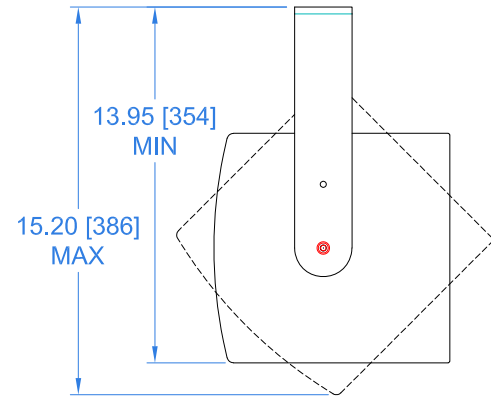
REVISIONS		
REV	DESCRIPTION	APPR / DATE
1	NEW ISSUE	RAF 04/30/24



MOUNTING POSTION 1



MOUNTING POSTION 2



THIRD ANGLE PROJECTION

THIS DRAWING IS THE PROPERTY OF FULCRUM ACOUSTIC, AND SHALL NOT BE COPIED, REPRODUCED, OR USED AS THE BASIS FOR MANUFACTURE OR SALE OF APPARATUS WITHOUT WRITTEN AUTHORIZATION. DO NOT SCALE DRAWING.

UNLESS OTHERWISE SPECIFIED: ALL DIMENSIONS ARE IN INCHES

TOLERANCE IN INCHES
.X±1 .XX±.015 .XXX±.005
FRACTIONS ±1/32
ANGLES ±1/2°

(X.XX) = REF DIMS NO TOLERANCE IMPLIED

TSC = THEORETICAL SHARP CORNER

DIMENSIONS ACROSS CENTERLINES TO BE SYMETRICAL

STATUS		RELEASED
APPROVALS	DATE	
DRAWN: RAF	04/30/24	
CHECKED: DEW	04/30/24	
DES ENG:		
MFG ENG:		

FULCRUM ACOUSTIC, LLC
670 LINWOOD AVE, LINWOOD, MA 01525 USA

TITLE: Mechanical Spec, UB-RX8 Yoke Bracket

A SHEET 1 OF 1 SCALE: 1:8

DWG. NO. 820-300-057 REV 1